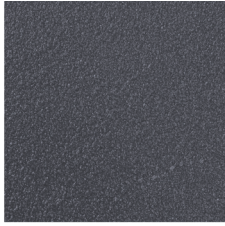


Technical Information Sheet

d² Dura Grating 53mm Solid Top



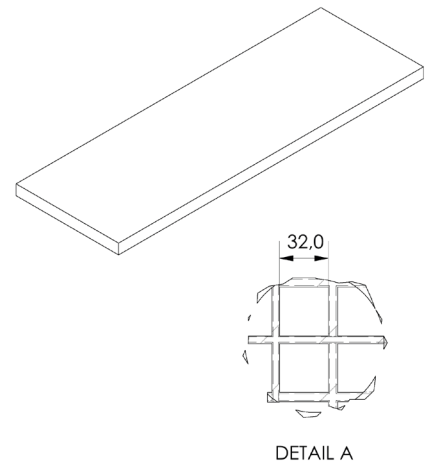
Product Description

d² Dura Grating is a new patent pending GRP grating series that takes structural flooring to the next level. Available exclusively from Dura Composites, our Solid Top grating range achieves an industry-leading Class B fire rating according to BS EN 13501-1.

Designed, developed and manufactured by Dura Composites, d² Dura Grating's anti-slip surface is tested to over 1 million footfalls. It offers outstanding safety, performance and durability and is more cost-effective than traditional GRP grating in almost every scenario.

Product Details

Length (mm)	Width (mm)	Colours / Product Codes	Panel Weight (kg)	Weight (kg/sqm)	Open Mesh Size (mm)
3052	1057	Dark Grey (DG05303)	73.87	21.5	None
3682	1267	Dark Grey (DG05302)	106.83		



Product Applications

Common applications for d² Dura Grating include walkways, gantries, gully covers, service risers, access platforms, stair treads, ramps, bund flooring, roof walkways, fencing, gates, trash screens, pontoons, mezzanines and low-rise balcony flooring.

Packaging

Please see below for relevant packaging information for d² Dura Grating 53mm Solid Top.

Packaging	Product Information
Maximum Products Per Pallet	20
Pallet Dimensions (mm)	3070 x 1060 x 1240
	3690 x 1240 x 1240
Pallet Weight (kg)	1448
	2066

Colours

Please see below for our d² Dura Grating RAL colours.

Dura Colours	RAL Number
Dark Grey ●	7043

Material

Glass Reinforced Polymer (GRP) d² Dura Grating is produced from glassfibres laminated together using an Orthophthalic Polyester Resin system and a gritted finish. It is resistant against a wide range of chemicals and temperature spectrums. Material samples are available on request, along with a copy of our chemical resistance data. Other resin types are available by special order.

Test Performance Overview

4S Slider Pendulum Test	BS EN 13501-1	BS 4592	European 20mm Ball Fall Test
PTV: 72 (dry)*, 62 (wet)*	Class B	Compliant	Compliant

*Maintains 95% of slip resistance after 1.1 million footfalls.

For more information please refer the Technical Installation Manual or speak to your Dura Composites Representative.

Load and Deflection Data

Deflection is shown in millimetres (mm), with all columns denoting clear spans. Green/red cell colours indicate above and below L/100, which is the equivalent of 1% deflection. To view data for alternative standard load deflection such as L/200, or specific data for your project, visit www.duracomposites.com/power-of-composites.

Point Load (PL)

	1300mm	1350mm	1400mm	1450mm	1500mm	1550mm
5.0 kN/ PL	8.2	8.9	9.6	10.4	11.2	12.0
5.5 kN/ PL	9.2	10.0	10.8	11.6	12.5	13.5
6.0 kN/ PL	10.3	11.1	12.0	13.0	14.0	15.0
6.5 kN/ PL	11.4	12.3	13.3	14.4	15.4	16.6
7.0 kN/ PL	12.5	13.6	14.7	15.8	16.9	18.2
7.5 kN/ PL	13.7	14.8	16.0	17.2	18.5	19.8

Maximum Spans (mm)

Load	L/100	L/200
5.0 kN	1880	1020
5.5 kN	1740	900
6.0 kN	1600	800
6.5 kN	1460	720
7.0 kN	1340	660
7.5 kN	1240	620

Uniformly Distributed Loads (UDL)

	1600mm	1650mm	1700mm	1750mm	1800mm	1850mm
2.5 kN/m ² UDL	7.6	8.4	9.4	10.3	11.4	12.6
3.0 kN/m ² UDL	9.0	10.0	11.1	12.3	13.6	14.9
3.5 kN/m ² UDL	10.4	11.6	12.8	14.2	15.7	17.2
4.0 kN/m ² UDL	11.8	13.1	14.5	16.1	17.7	19.5
4.5 kN/m ² UDL	13.2	14.7	16.4	18.1	20.1	22.1
5.0 kN/m ² UDL	15.0	16.7	18.5	20.5	22.6	24.8

Maximum Spans (mm)

Load	L/100	L/200
2.5 kN/m ²	2150	1630
3.0 kN/m ²	2010	1520
3.5 kN/m ²	1900	1440
4.0 kN/m ²	1810	1370
4.5 kN/m ²	1720	1300
5.0 kN/m ²	1640	1240

Key: ● = Within limits ● = Out of limits

Safety Information

Use diamond tipped tools for cutting and wear mask and goggles when cutting or grinding. Cover exposed parts of the body. Wear gloves when moving or lifting. Product itself is not considered a hazardous waste. Please ensure that you abide by local laws and procedures regarding disposal if you choose not to upcycle or re-use your product at the end of its initial lifecycle.

Common Fixing Options

Some of the most common stainless steel fixing options are shown below. For a full list of fixings please see the d² Dura Grating brochure.



Large Dome Washer
(BFX01003)



Extra Large Dome Washer
(BFX02165)



Uni-Strut Clamps
(DP05053)

Warranty

25 year limited warranty available. Please register your product with us within 30 days of your invoice date. Visit www.duracomposites.com/warranty.