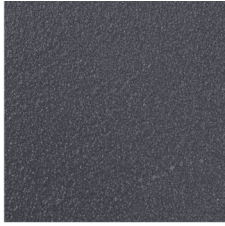


Product Datasheet

d² Dura Grating 29mm Solid Top



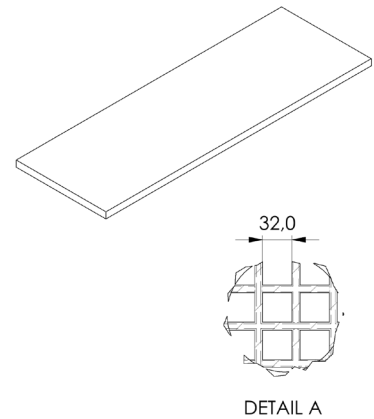
Product Description

d² Dura Grating is a new patent pending GRP grating series that takes structural flooring to the next level. Available exclusively from Dura Composites, our Solid Top grating range achieves an industry-leading Class B fire rating according to BS EN 13501-1.

Designed, developed and manufactured by Dura Composites, d² Dura Grating’s anti-slip surface is tested to over 1 million footfalls. It offers outstanding safety, performance and durability and is more cost-effective than traditional GRP grating in almost every scenario.

Product Details

Length (mm)	Width (mm)	Colours / Product Codes	Panel Weight (kg)	Weight (kg/sqm)	Open Mesh Size (mm)
3043	993	Dark Grey (DG02903)	50.46	16.7	None
3699	1239	Dark Grey (DG02902)	76.54		



Product Applications

Common applications for d² Dura Grating include walkways, gantries, gully covers, service risers, access platforms, stair treads, ramps, bund flooring, roof walkways, fencing, gates, trash screens, pontoons, mezzanines and low-rise balcony flooring.

Packaging

Please see below for relevant packaging information for d² Dura Grating 29mm Solid Top.

Packaging	Product Information
Maximum Products Per Pallet	22
Pallet Dimensions (mm)	3050 x 1020 x 820
	3720 x 1240 x 820
Pallet Weight (kg)	1157
	1720

Colours

Please see below for our d² Dura Grating RAL colours.

Dura Colours	RAL Number
Dark Grey ●	7043

Material

Glass Reinforced Polymer (GRP) d² Dura Grating is produced from glassfibres laminated together using an Orthophthalic Polyester Resin system and a gritted finish. It is resistant against a wide range of chemicals and temperature spectrums. Material samples are available on request, along with a copy of our chemical resistance data. Other resin types are available by special order.

Test Performance Overview

4S Slider Pendulum Test	BS EN 13501-1	BS 4592	European 20mm Ball Fall Test
PTV: 72 (dry)*, 62 (wet)*	Class B	Compliant	Compliant

*Maintains 95% of slip resistance after 1.1 million footfalls.

For more information please refer the Technical Installation Manual or speak to your Dura Composites Representative.

Load and Deflection Data

Deflection is shown in millimetres (mm), with all columns denoting clear spans. Green/red cell colours indicate above and below L/100, which is the equivalent of 1% deflection. To view data for alternative standard load deflection such as L/200, or specific data for your project, visit www.duracomposites.com/power-of-composites.

Point Load (PL)

	1000mm	1050mm	1100mm	1150mm	1200mm	1250mm
0.5 kN/ PL	2.0	2.3	2.6	2.8	3.1	3.4
1.0 kN/ PL	4.2	4.7	5.2	5.8	6.3	6.9
1.5 kN/ PL	6.3	7.0	7.8	8.6	9.5	10.4
2.0 kN/ PL	8.3	9.3	10.4	11.4	12.6	13.7
2.5 kN/ PL	10.4	11.6	12.9	14.2	15.6	17.1
3.0 kN/ PL	12.4	13.9	15.4	17.0	18.7	20.4

Maximum Spans (mm)

Load	L/100	L/200
0.5 kN	2360	1760
1.0 kN	1870	1140
1.5 kN	1450	830
2.0 kN	1150	600
2.5 kN	970	-
3.0 kN	850	-

Uniformly Distributed Loads (UDL)

	850mm	900mm	950mm	1000mm	1050mm	1100mm
2.5 kN/m ² UDL	3.4	4.2	5.2	6.3	7.5	8.9
3.0 kN/m ² UDL	4.0	5.0	6.2	7.5	9.0	10.6
3.5 kN/m ² UDL	4.7	5.8	7.2	8.7	10.4	12.3
4.0 kN/m ² UDL	5.4	6.7	8.1	9.9	11.8	14.0
4.5 kN/m ² UDL	6.1	7.6	9.2	11.1	13.3	15.8
5.0 kN/m ² UDL	6.9	8.6	10.5	12.7	15.1	17.8

Maximum Spans (mm)

Load	L/100	L/200
2.5 kN/m ²	1190	920
3.0 kN/m ²	1110	860
3.5 kN/m ²	1050	820
4.0 kN/m ²	1000	780
4.5 kN/m ²	9960	750
5.0 kN/m ²	910	710

Key: ● = Within limits ● = Out of limits

Safety Information

It is advisable to undertake a risk assessment, with particular focus on manual handling procedures. Wear appropriate gloves and coveralls to shield skin from abrasions. If shaping the product, it is essential to factor in the potential production of dust. To mitigate this, it is vital to either suppress the dust at source or employ effective extraction methods. We strongly recommend the use of appropriate respiratory protective equipment (RPE), specifically filtering facepiece class 3 (FFP3) masks, alongside adequate eye protection to guard against dust.

Recyclability

Return to manufacturer or downcycle.

Sustainability

The embodied carbon for A1-A3 (production stage) as defined in BS EN 15804 is 3.8kg CO₂ eq/unit.

Common Fixing Options

Some of the most common stainless steel fixing options are shown below. For a full list of fixings please see the d² Dura Grating brochure.



Large Dome Washer
(BFX01003)



Extra Large Dome Washer
(BFX02165)



Uni-Strut Clamps
(DP05053)

Warranty

25 year limited warranty available. Please register your product with us within 30 days of your invoice date. Visit www.duracomposites.com/warranty.