

# Product Datasheet

## Dura Key Clamp Handrailing Base Foot

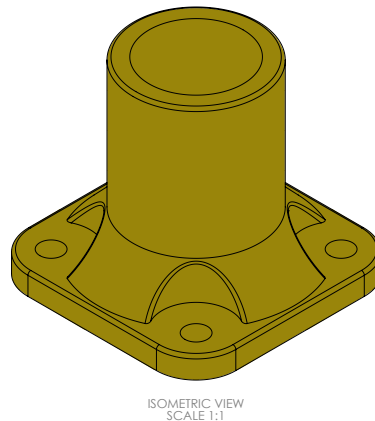
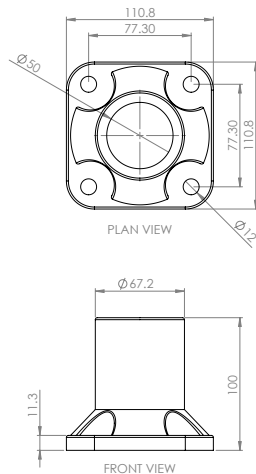


### Product Description

We offer a high quality, round tubular GRP Handrail system complete with all fittings. Dura Key Clamp Handrailing is lightweight and easy to handle and offers low installation and maintenance costs as it doesn't require painting or galvanising. Despite its lightweight properties, GRP handrailing offers impressive strength-to-weight and load-bearing performance. The wide range of connectors in our standard range means the handrails can be installed easily in a variety of environments such as high-voltage areas, rail stations and track-side setting to provide worker or general public safety.

### Product Details

Length (mm)	Width (mm)	Height (mm)	Total Weight (kg)	Weight (kg/sqm)	Colours / Product Codes
110	110	100	0.28	23.15	Yellow (DR04013)
					Grey (DR05013)



### Product Applications

Dura Key Clamp Handrailing is non-conductive and non-corrosive and is perfect for protecting and identifying hazardous storage areas, high voltage areas, embankment staircases, disabled access ramps, railway sidings, platforms and walkway edges.



### Packaging

Please see the below table for relevant packaging information for Dura Key Clamp Handrailing.

Packaging	Product Information
Maximum Products Per Box	36
Box Dimensions (mm)	400 x 350 x 300
Box Weight (kg)	21.5

### Colours

Please see below for our Dura Key Clamp Handrailing RAL colours.

Dura Colours	RAL Number
Grey 	7043
Yellow 	1023

### Material

Glass fibre, isophthalic polyester resin, inert fillers, UV stabilisers, promoters and flame retardants. Chemical pigment is mixed in to the resin to produce the final colour therefore the finish is natural and requires no painting.

### Fixings

M8 Head Hex Set Screw (BFX02114), M8 Nyloc Nut (BFX02117), M8 Standard Washer (BFX02137).

### Warranty

25 year limited warranty available. Please register your product with us within 30 days of your invoice date. Visit [www.duracomposites.com/warranty](http://www.duracomposites.com/warranty).