

Product Datasheet

A2 Aluminium Pedestals

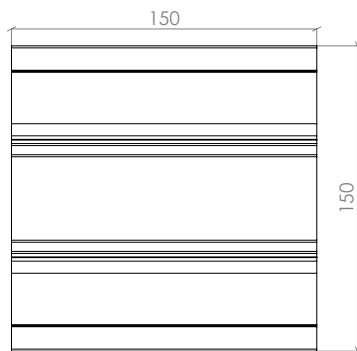


Product Description

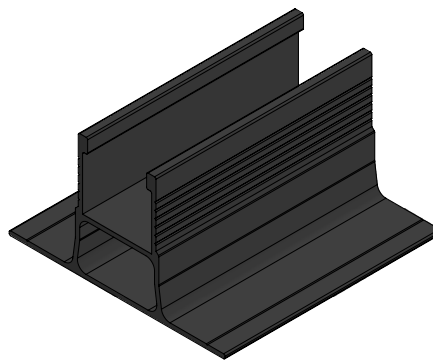
Our Dura Pedestals (Patent No. GB 2005553.9) can be easily combined with Dura Bearers to suit all project needs. With 8 different heights of pedestals and 3 different heights of bearers, the Dura Composites system provides the most economical substructure combination on the market and is suitable for use as a decking substructure on external balconies, terraces roof gardens, domestic gardens, or for industrial flooring. Mill finish pedestals and bearers are also available on request.

Product Details

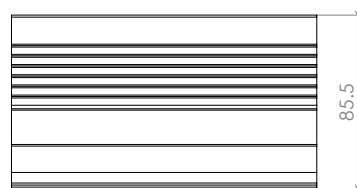
Product Name	Length (mm)	Width (mm)	Height (mm)	Weight (kg)	Pack Size
25.5mm	150	150	25.5	0.27	1
36.5mm			36.5	0.28	
50.5mm			50.5	0.33	
85.5mm			85.5	0.5	
117.5mm			117.5	0.58	
152.5mm			152.5	0.66	
187.5mm			187.5	0.75	
222.5mm			222.5	0.83	



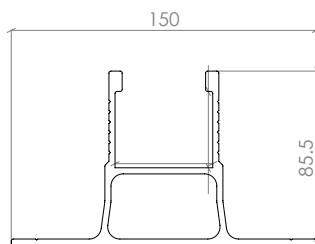
PLAN VIEW



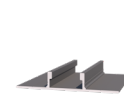
ISOMETRIC VIEW



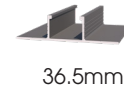
FRONT VIEW



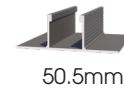
SIDE VIEW



25.5mm



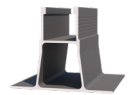
36.5mm



50.5mm



85.5mm



117.5mm



152.5mm



187.5mm



222.5mm

Product Applications & Material Type

- All Public & Private Building requiring an A2 Fire Rating
- Recessed/projected Galvanised Steel Balconies and recessed concrete balconies
- Roof Top Terraces
- Pub, Restaurant & Hotel Deck Areas
- Commercial Walkways
- Domestic Gardens
- Raised Terraces
- Washbays & Elevated Walkways

Pedestal & Bearer Combined Heights

Use any Dura Bearer with any Dura Pedestal to create 48 different combinations. Installation is faster, easier and more stable than with fiddly plastic pedestals. A precise height can be created (which can be as small as a 10mm adjustment when installing any bearer option in combination with the 25.5mm pedestal).



Product	Height (mm)	Heights Achieved with 25mm Bearer		Heights Achieved with 50mm Bearer		Heights Achieved with 75mm Bearer	
		Min Height (mm)	Max Height (mm)	Min Height (mm)	Max Height (mm)	Min Height (mm)	Max Height (mm)
Dura Pedestals	25.5	28	38	53	63	78	88
	36.5	38	53.5	53	83.5	78	103.5
	50.5	53	65.5	53	88	78	113
	85.5	88	100.5	88	123	113	148
	117.5	120	132.5	120	155	145	180
	152.5	155	167.5	155	190	180	215
	187.5	190	202.5	190	225	215	250
	222.5	225	237.5	225	260	250	285

Slope Correction

Our system can be used on sloping or uneven ground with gradients of up to 10° degrees, which is the equivalent to an amazing 1:6 fall. The tallest 222.5mm pedestal offers 35mm of adjustment to suit the most demanding projects.

Slope Correction Option			
Pedestals	25mm Bearer	50mm Bearer	75mm Bearer
25.5mm	3°	3°	3°
36.5mm	6°	10°	10°
50.5mm	3°	10°	10°
85.5mm	3°	10°	10°
117.5mm	3°	10°	10°
152.5mm	3°	10°	10°
187.5mm	3°	10°	10°
222.5mm	3°	10°	10°

Material & Finish

6063 Grade Aluminium (T6) with an Anthracite powder coated finish. Mill finish are also available on request.

Fixing Method

Hidden Bi-Metallic Pan Head Self Drilling Screws.

Recyclability

Durable and long lasting our aluminium decking is 100% recyclable at the end of its use, making it eco-friendly.

Sustainability

The embodied carbon for A1-A3 (production stage) as defined in BS EN 15804 is 13.2kg CO₂ eq/unit.

Design Life & Warranty Information

10 year warranty on painted surface finish. 60 year expected service life. As with all Dura Deck products, you must install the product according to our manufacturer recommendations to preserve your warranty. To activate your warranty, please register your product with us within 30 days of your invoice date at www.duracomposites.com/warranty.

Delivery

UK Mainland: delivery within 2-3 business days. Scottish Highlands & Islands, Isle of Wight and Northern Ireland: delivery within 4 business days. Please Note: Exports to Europe, Canada, Middle East and beyond can be arranged as required.